

IEC Appliance Connector C14 with Fuseholder 1-pole

Types 6200, 6205



Snap-In Version or Screw-On Version  
1-pole  
Type 6202: for protection class II

Types 6200, 6205



1-pole  
Snap-In version or Screw-On Version



**Description**

- Panel Mount:  
Screw-on version from front or rear side, snap-in version from front side
- 2 Functions:  
Inlet Protection class I, Fuseholder for fuse-links 5 x 20 mm 1-pole
- Solder terminals or quick connect terminals

**Approvals**

- VDE License Number: 40011091
- UL License Number: E93617
- CSA License Number: 38456

**Characteristics**

- Unwired
- Plug removal necessary for fuse-link replacement  
The fuseholder is accessible from the equipment front  
With spare fuse compartment
- Qualified for use in equipment according IEC/EN 60950

**Other versions on request**

- Types for rivet mounting available upon request

**Weblinks**

[Approvals](#), [RoHS](#), [CHINA-RoHS](#), [e-Store](#), [SCHURTER-Stock-Check](#), [Distributor-Stock-Check](#)

**Technical Data**

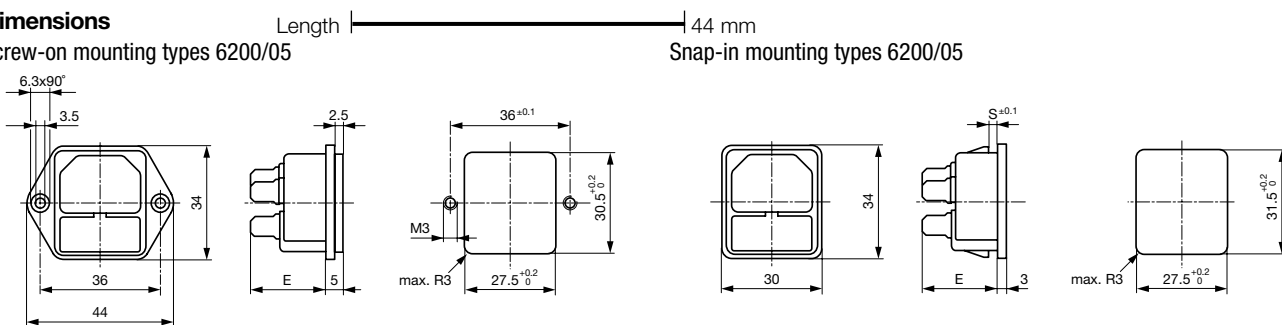
Ratings IEC	10A / 250VAC; 50Hz
Ratings UL/CSA	10A / 250VAC; 60Hz
Dielectric Strength	> 2 kVAC between L-N > 2 kVAC between L/N-PE (1 min/50Hz)
Allowable Operation Temp.	-25°C to 70°C
Degree of Protection	from front side IP 40 acc. to IEC 60529
Protection Class	Suitable for appliances with protection class I acc. to IEC 61140
Terminal	Solder terminals or quick connect terminals, tin-plated
Panel Thickness s	Screw-on: max 6 mm Mounting screw torque max 0.5 Nm Snap-in: 1/1.5/2/2.5/3 mm
Material: Housing	Thermoplastic, black, UL 94V-0

Appliance-Inlet/-Outlet	C14 acc. to IEC/EN 60320-1, UL 498, CSA C22.2 no. 42 (for cold conditions) pin-temperature 70 °C, 10A, Protection class I
Fuseholder	1 pole, Shocksafe category PC2 acc. to IEC 60127-6, for fuse-links 5 x 20 mm
Rated Power Acceptance @ Ta 23 °C	5 x 20: 2 W (1 pole)
Power Acceptance @ Ta > 23°C	Admissible power acceptance at higher ambient temperature see derating curves

**Dimensions**

Screw-on mounting types 6200/05

Snap-in mounting types 6200/05

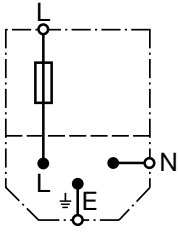


E: solder terminals 20.5 mm  
E: quick-connect terminals 23.5 mm

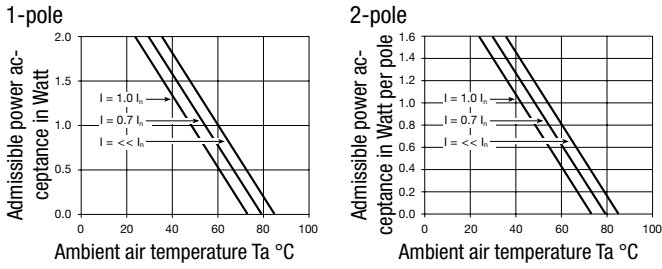
E: solder terminals 22.5 mm  
E: quick-connect terminals 25.5 mm  
S: 1.0/1.5/2.0/2.5/3.0 mm

## Diagrams

6200/05



## Derating Curves for Fuseholders



## Variants

[Distributor-Stock-Check](#) | [SCHURTER-Stock-Check](#) | [e-Store](#)

Socket and fuse-carrier included

Protection Class	Panel mounting	Panel Thickness s [mm]	Fuseholder	Terminal	internally wired	Order Number
I	Snap-in	1	1 pole	Solder terminals		6205.4110
I	Snap-in	1	1 pole	Solder terminals		6205.4210
I	Snap-in	1.5	1 pole	Solder terminals		6205.4115
I	Snap-in	1.5	1 pole	Solder terminals		6205.4315
I	Snap-in	2	1 pole	Solder terminals		6205.4120
I	Snap-in	2.5	1 pole	Solder terminals		6205.4125
I	Snap-in	2.5	1 pole	Solder terminals		6205.4225
I	Snap-in	2.5	1 pole	Solder terminals		6205.4325
I	Snap-in	3	1 pole	Solder terminals		6205.4130
I	Snap-in	1.5	1 pole	Quick connect terminals 4.8 x 0.8 mm		6205.4215
I	Snap-in	2	1 pole	Quick connect terminals 4.8 x 0.8 mm		6205.4220
I	Snap-in	3	1 pole	Quick connect terminals 4.8 x 0.8 mm		6205.4230
I	Snap-in	1	1 pole	Quick connect terminals 6.3 x 0.8 mm		6205.4310
I	Snap-in	2	1 pole	Quick connect terminals 6.3 x 0.8 mm		6205.4320
I	Snap-in	3	1 pole	Quick connect terminals 6.3 x 0.8 mm		6205.4330
I	Screw-on	-	1 pole	Solder terminals		6205.2100
I	Screw-on	-	1 pole	Quick connect terminals 4.8 x 0.8 mm		6205.2200
I	Screw-on	-	1 pole	Quick connect terminals 6.3 x 0.8 mm		6205.2300

**Packaging unit** 50 Pcs

## Accessory

Description



Assorted Covers  
Rear Cover

0859.0047

4311.9403